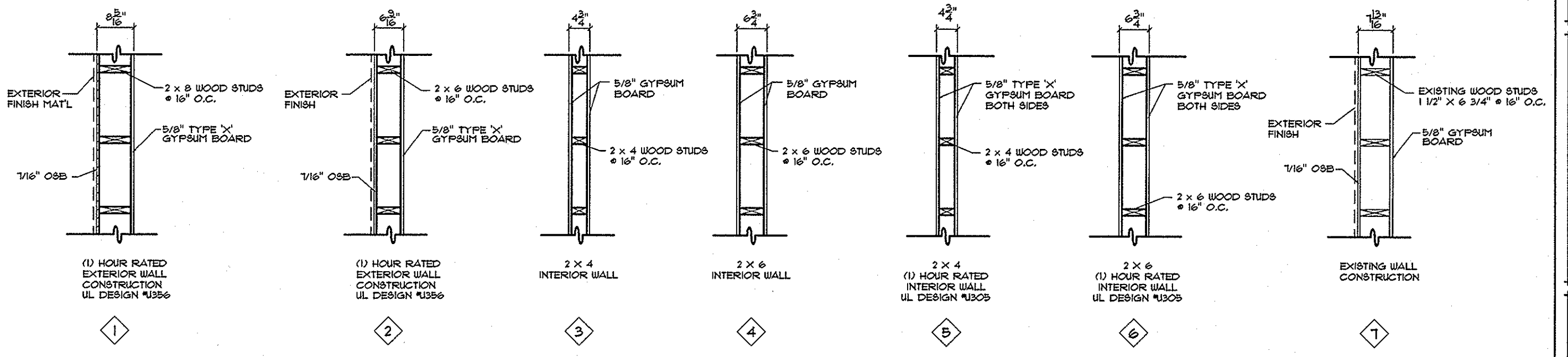


NOTE:  
 CONSTRUCTION MGR TO VERIFY MODEL No.  
 AS SELECTED BY OWNER. ELEVATOR  
 MANUFACTURER TO PROVIDE SHOP  
 DRAWINGS FOR APPROVAL PRIOR TO  
 FOUNDATION WORK AND FRAMING.

RM #	USE	LOAD
B02	MECHANICAL	1
B05	FELLOWSHIP HALL	68
B06	KITCHEN	2
103	OFFICE	1
105	SANCTUARY	132
106	BACKSTAGE	5
108	GENERAL OFFICE	1
M02	INSTRUMENT ROOM	13
M04	STORAGE	1
M05	STORAGE	1
M06	STORAGE	1
M08	STORAGE	1
M09	STORAGE	1
	TOTAL	228



**WALL TYPES**  
 SCALE: NT6

**FIRST FLOOR PLAN**  
 SCALE: 1/4" = 1'-0"

REVISIONS:	NUMBER	DESCRIPTION	DATE	INITIALS

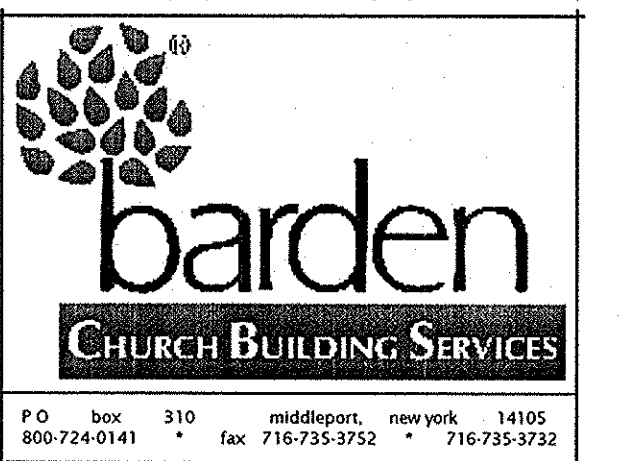
COPYRIGHT BARDEN & ROBEYSON CORP. 2005.  
 NOTICE: THESE SET OF PLANS AND THE DESIGN CONTAINED HEREIN IS THE  
 PROPERTY OF BARDEN & ROBEYSON CORP. AND MAY NOT BE USED FOR  
 REPRODUCTION OR TRANSMISSION IN ANY FORM OR BY ANY MEANS, ELECTRONIC OR  
 MECHANICAL, INCLUDING PHOTOCOPYING, RECORDING, OR BY ANY INFORMATION  
 STORAGE AND RETRIEVAL SYSTEM, WITHOUT THE EXPRESS WRITTEN PERMISSION OF BARDEN &  
 ROBEYSON CORP.

**IMPORTANT NOTICE**  
 THESE DRAWINGS ARE PROVIDED BY BARDEN CHURCH BUILDING SERVICES  
 AS A SERVICE TO THE CLIENT AND ARE NOT TO BE CONSIDERED COMPLETE  
 FOR FINAL COSTING OR CONSTRUCTION UNTIL ALL FEDERAL, STATE, OR  
 LOCAL APPROVALS ARE OBTAINED. THE RESPONSIBILITY OF OBTAINING  
 THESE APPROVALS RESTS SOLELY WITH THE CLIENT AND/OR THEIR  
 CONTRACTOR.

INDEPENDENT DEALER / CONSTRUCTION MANAGER:  
 DAVE HORVAT - SALES  
**BOGGART BUILDERS**  
 DAVE BOGGART - CONSTRUCTION MGR

DATE: 3/30/05  
 SCALE: AS SHOWN  
 DRAWN BY: CAM/NMD

CLIENT / PROJECT TITLE:  
**EMANUEL'S HOPE BAPTIST CHURCH  
 ADDITION**  
 PROJECT LOCATION:  
**18-20 WASHINGTON STREET  
 MONTCLAIR, NEW JERSEY 07042**  
 SHEET:  
**FIRST FLOOR PLAN**



P.O. Box 310 Middletown, New York 14105  
 800-724-0141 • fax 716-735-3752 • 716-735-3752

PROJECT NO:  
**2033.03**

PROCESSING NO: 50672

DWG NO:  
**A-4**  
SHEET 5 OF 11