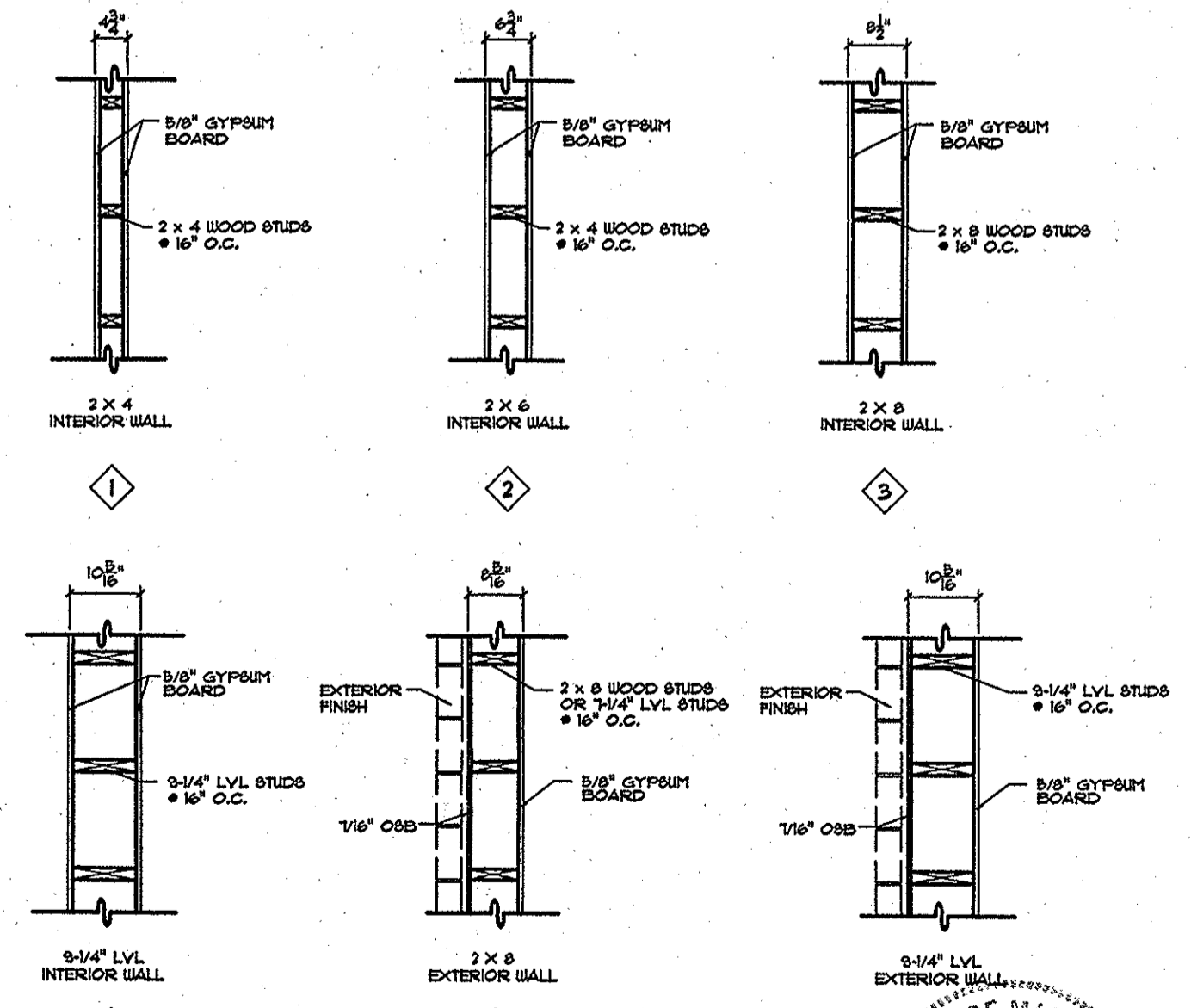


FLOOR PLAN
 SCALE: 1/8" = 1'-0"

NOTE:
 - VERIFY ALL WINDOW SIZES AND ROUGH OPENINGS
 PRIOR TO PRODUCTION OF WALL FRAMING. SUBMIT
 LIST OF WINDOWS KEYED TO FLOORPLAN TO BARDEN
 ENGINEERING.

MEZZANINE PLAN

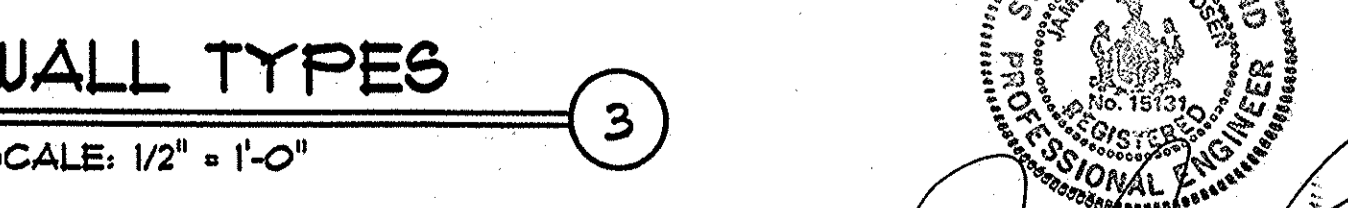
SCALE: 1/8" = 1'-0"



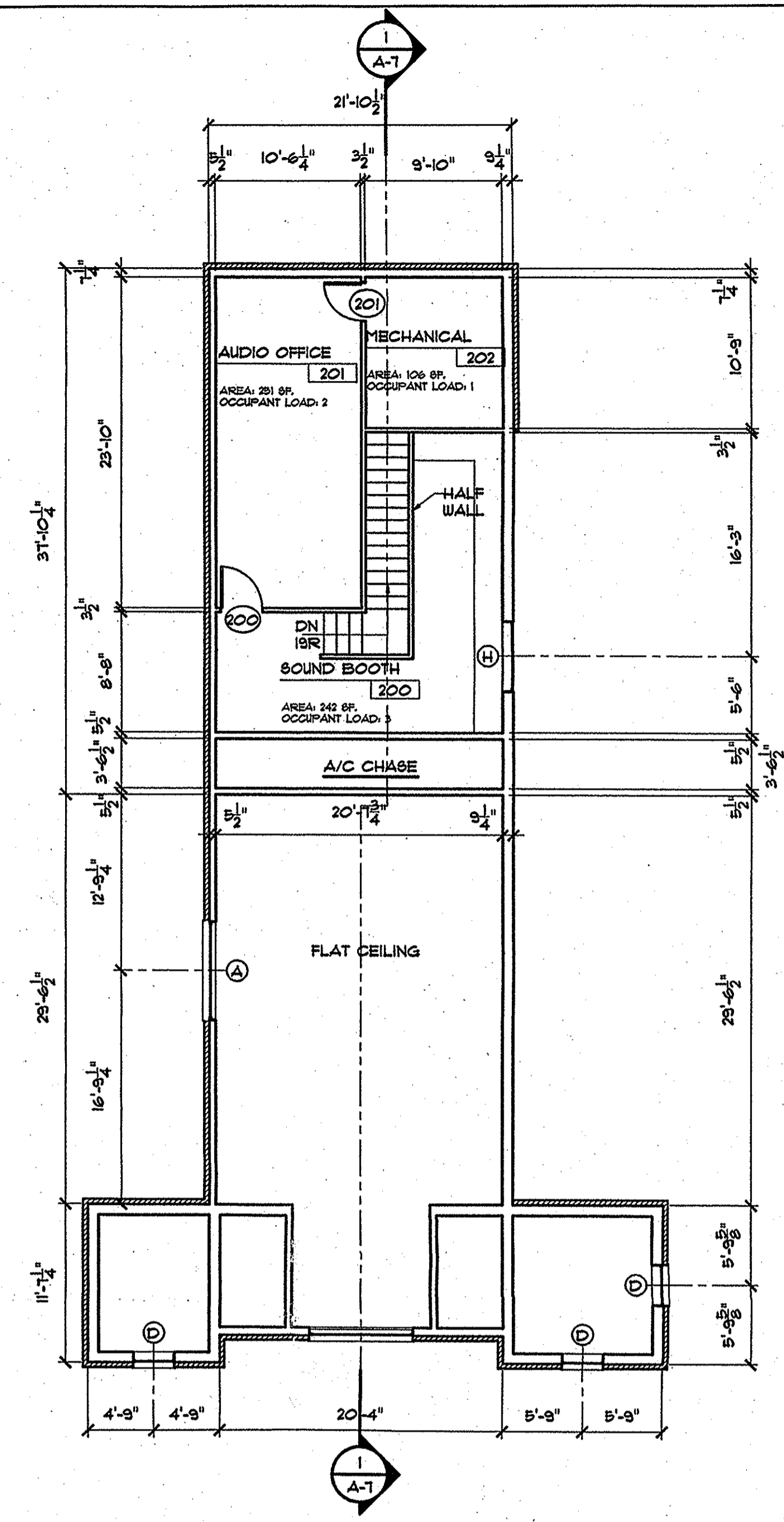
WALL TYPES

SCALE: 1/2" = 1'-0"

1 2 3 4 5 6 7 8 9 10 11 12 13 14 15 16 17 18 19 20 21 22 23 24 25 26 27 28 29 30 31 32 33 34 35 36 37 38 39 40 41 42 43 44 45 46 47 48 49 50 51 52 53 54 55 56 57 58 59 60 61 62 63 64 65 66 67 68 69 70 71 72 73 74 75 76 77 78 79 80 81 82 83 84 85 86 87 88 89 90 91 92 93 94 95 96 97 98 99 100



WALL TYPES
 SCALE: 1/2" = 1'-0"



REVISIONS:	NUMBER	DESCRIPTION	DATE	INITIALS
1		ADJUSTED FLOOR HEIGHT OF PROPOSED	4/29/05	CMC

COPYRIGHT BARDEN & KORSICORP. 2004
 NOTICE: THIS SET OF PLANS AND THE DESIGN CONTAINED HEREIN IS THE PROPERTY OF BARDEN & KORSICORP. AND MAY NOT BE REPRODUCED FOR BUILDING UNLESS A PROPER CONTRACT HAS BEEN ENTERED INTO FOR THE PURCHASE OF MATERIALS TO COMPLETE THE DESIGN FROM BARDEN & KORSICORP. THE DESIGN SHALL NOT BE USED FOR ANY OTHER PURPOSE WITHOUT THE EXPRESS WRITTEN PERMISSION OF THE BARDEN & KORSICORP.

IMPORTANT NOTICE
 THESE DRAWINGS ARE PROVIDED BY BARDEN CHURCH BUILDING SERVICES AS A SERVICE TO THE CLIENT AND ARE NOT TO BE CONSIDERED COMPLETE FOR FINAL COSTING OR CONSTRUCTION UNTIL ALL FEDERAL, STATE, OR LOCAL APPROVALS ARE OBTAINED. THE RESPONSIBILITY OF SECURING THESE APPROVALS RESTS FULLY WITH THE CLIENT AND/OR THEIR CONTRACTOR.

INDEPENDENT DEALER / CONSTRUCTION MANAGER:
PROBUILT LLC
 KENYARGA /
 DAVE HORVAT

DATE	SCALE	DRAWN BY
2/18/05	AS SHOWN	CMC

CLIENT PROJECT TITLE:
**WAUGH UNITED METHODIST CHURCH
 ADDITION TO EXISTING**

PROJECT LOCATION:
CAMBRIDGE, MD

PREPARED BY:
**FLOOR PLAN, MEZZANINE PLAN,
 WALL TYPES**



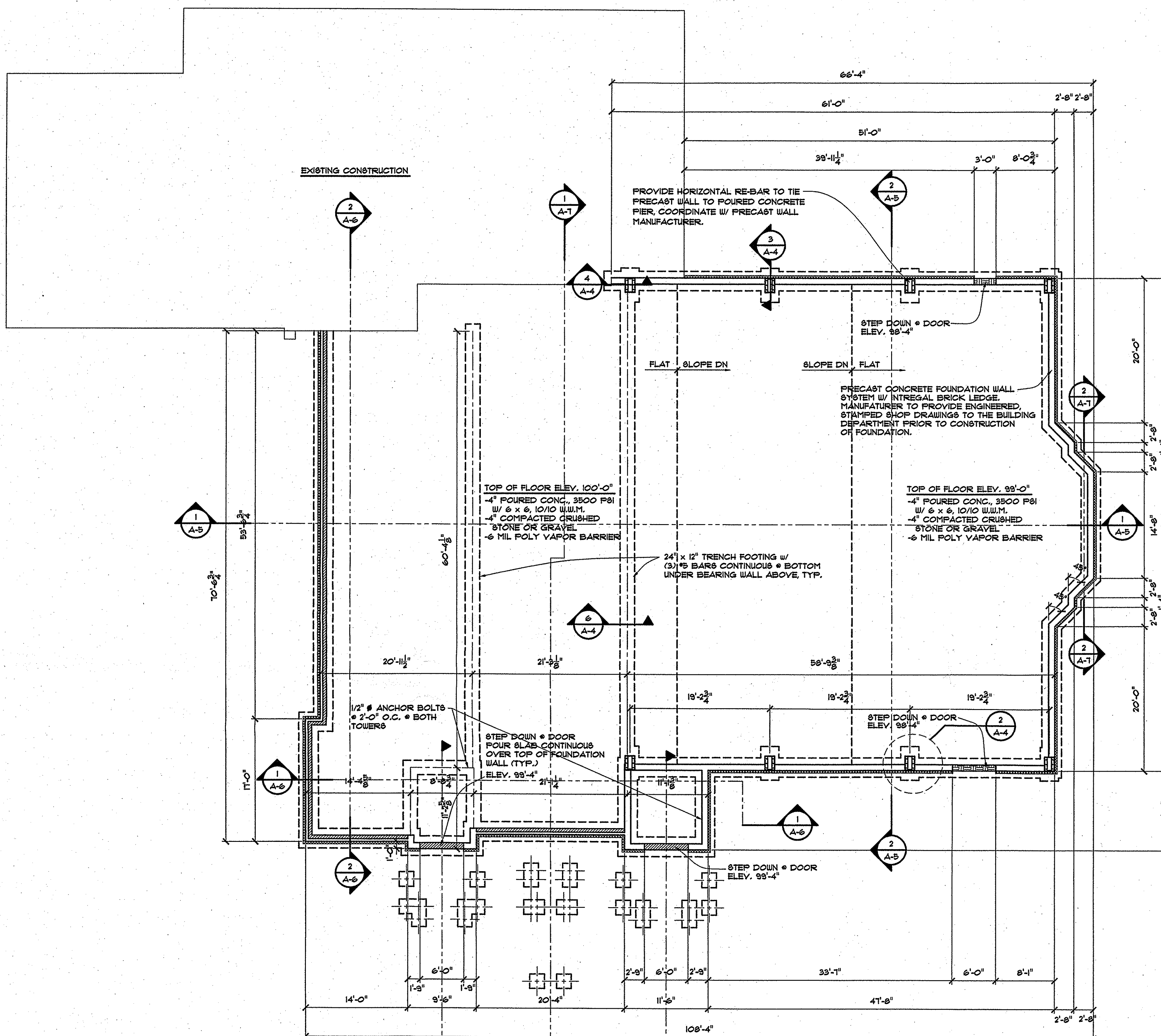
P.O. Box 310 Middleport, New York 14105
 800-724-0141 • Fax 716-735-3752 • 716-735-3752

PROJECT NO:
2031.03

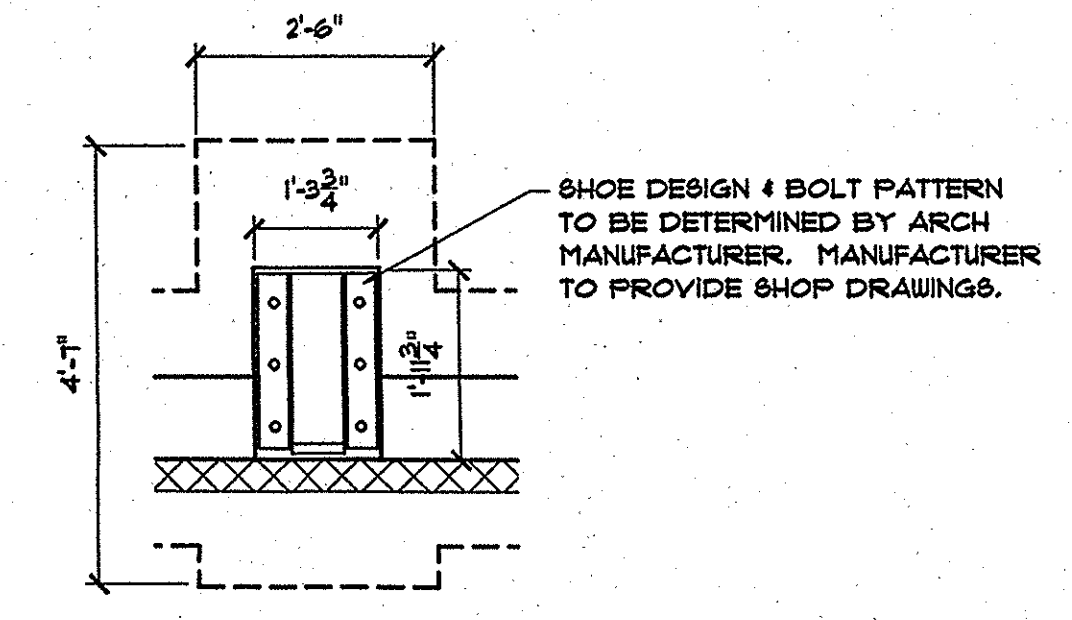
PROCESSING NO: 50692
 DWG NO:

A-3
 SHEET 4 OF 11

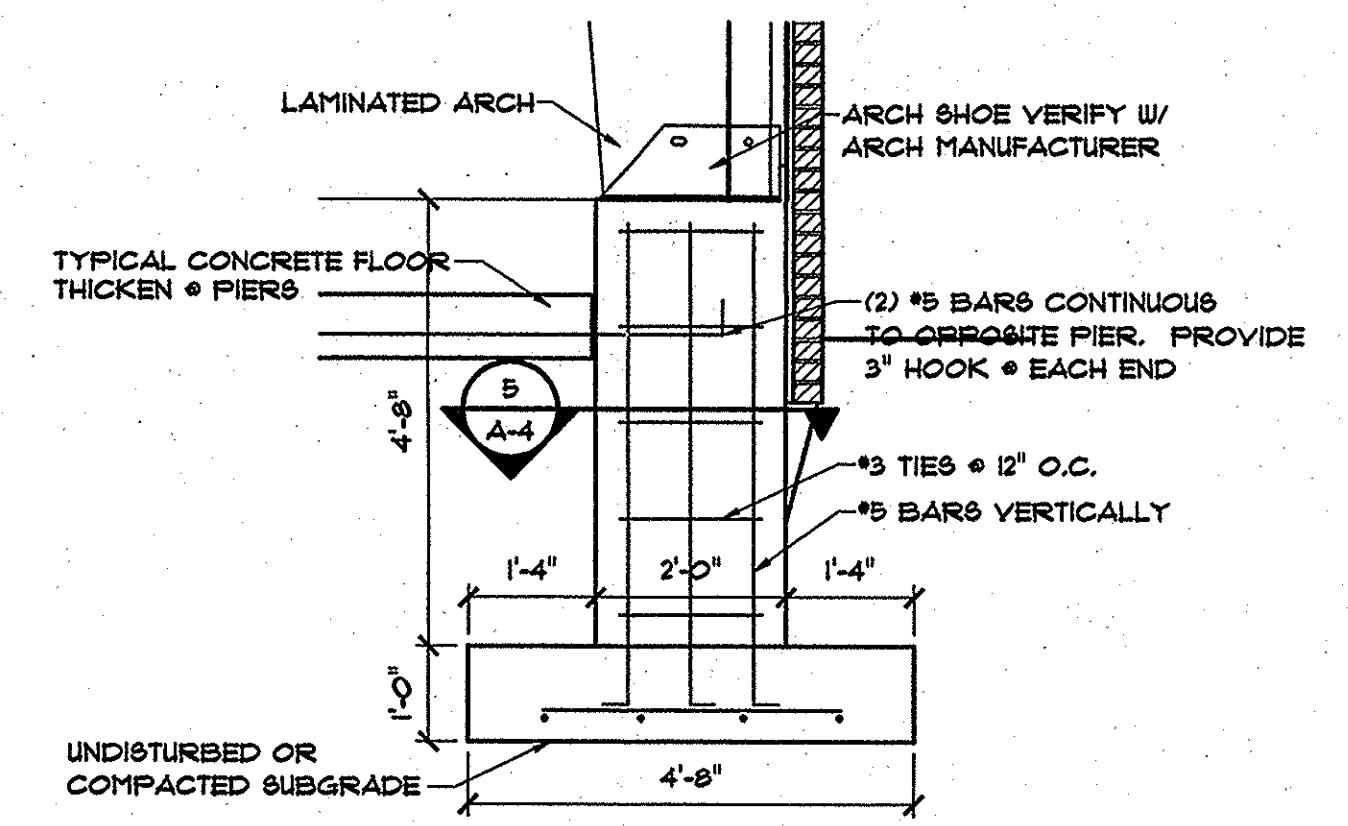
Handwritten signature and date: 5-2-06



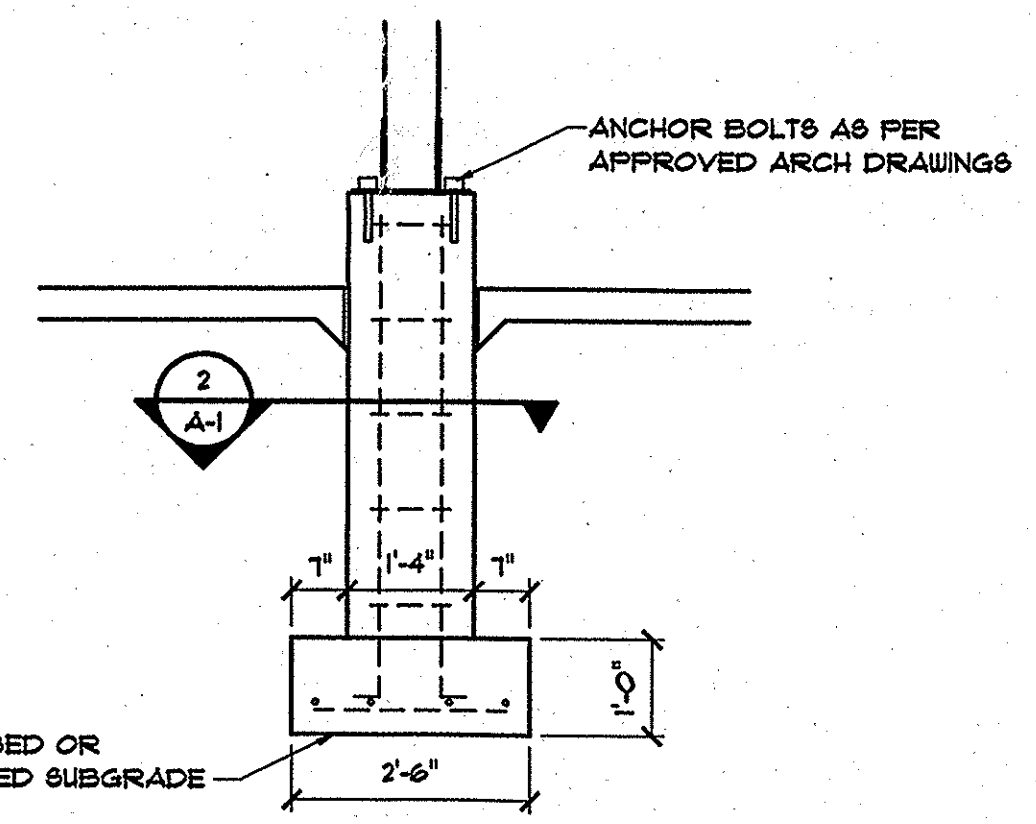
FOUNDATION PLAN
 SCALE: 1/8" = 1'-0"



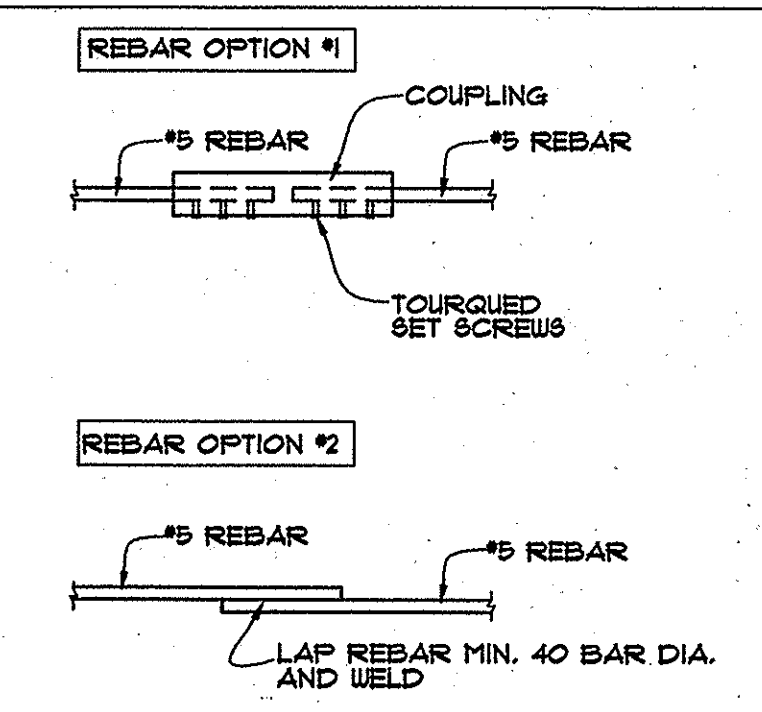
DETAIL 2
 SCALE: 1/2" = 1'-0"



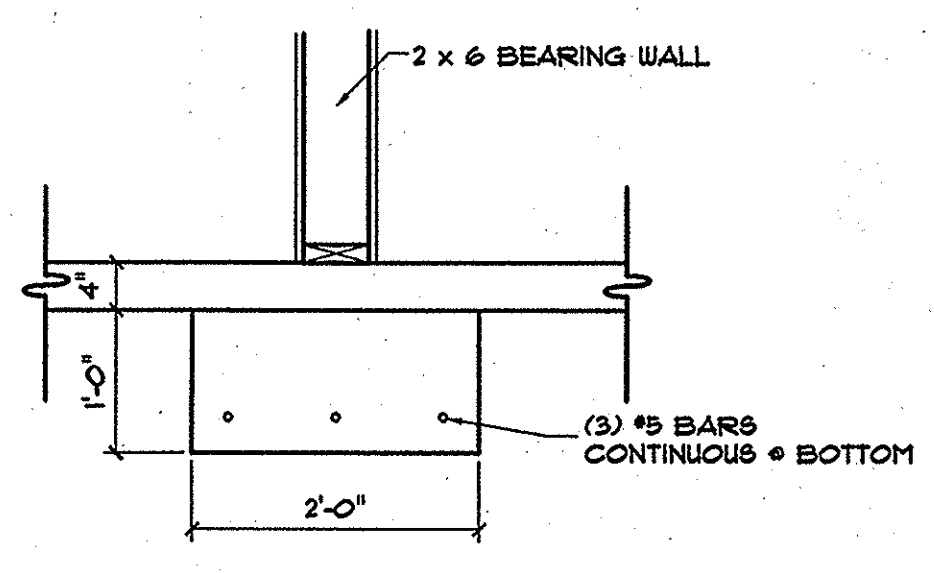
DETAIL 3
 SCALE: 1/2" = 1'-0"



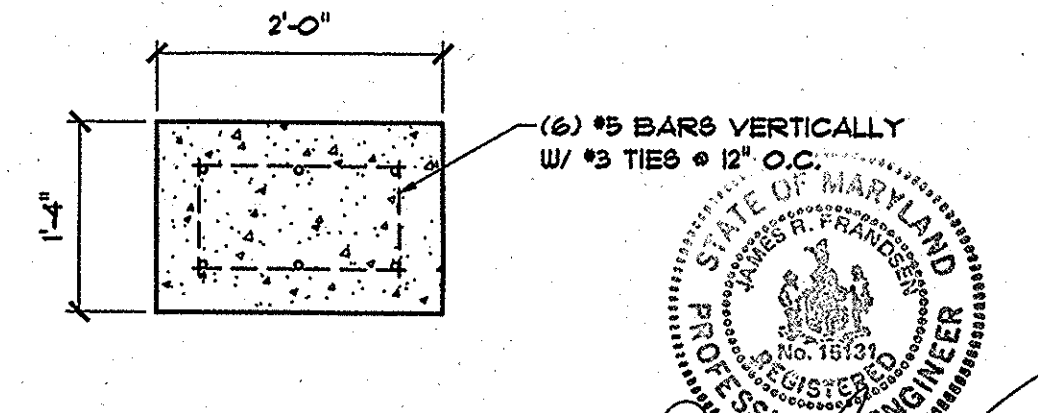
DETAIL 4
 SCALE: 1/2" = 1'-0"



REBAR OPTIONS
 N.T.S.



DETAIL 6
 SCALE: 3/4" = 1'-0"



DETAIL 5
 SCALE: 3/4" = 1'-0"

REVISIONS NUMBER	DESCRIPTION	DATE	INITIALS
1	CHANGE FLOOR HEIGHT OF PROPOSED	4/23/05	CMC

COPYRIGHT BARDEN & BOGGS/CONC. 2004
 NOTICE: THIS SET OF PLANS AND THE DESIGN CONTAINED HEREIN IS THE PROPERTY OF BARDEN & BOGGS/CONC. AND MAY NOT BE USED FOR REPRODUCTION OR CONSTRUCTION WITHOUT THE WRITTEN PERMISSION OF BARDEN & BOGGS/CONC. THE DESIGN SHALL NOT BE USED FOR ANY OTHER PURPOSE WITHOUT THE EXPRESS WRITTEN PERMISSION OF BARDEN & BOGGS/CONC.

IMPORTANT NOTICE
 THESE DRAWINGS ARE PROVIDED BY BARDEN CHURCH BUILDING SERVICES AS A SERVICE TO THE CLIENT AND ARE NOT TO BE CONSIDERED COMPLETE FOR FINAL DESIGN OR CONSTRUCTION. ALL FEDERAL, STATE, OR LOCAL APPROVALS ARE OBTAINED. THE RESPONSIBILITY OF SECURING THESE APPROVALS RESTS FULLY WITH THE CLIENT AND/OR THEIR CONTRACTOR.

INDEPENDENT DEALER / CONSTRUCTION MANAGER:
PROBULL LLC
 KENYARGA /
 DAVE HORVAT

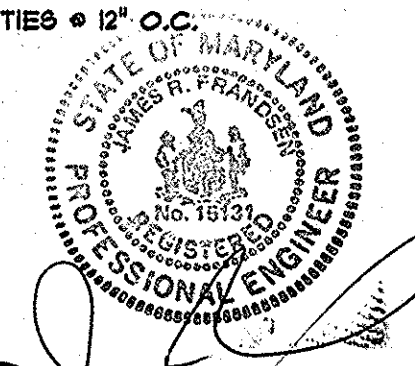
DATE:	SCALE:	DRAWN BY:
2/18/05	AS SHOWN	CMC

CLIENT PROJECT TITLE:	PROJECT LOCATION:	PROJECT:
WALUGH UNITED METHODIST CHURCH ADDITION TO EXISTING	CAMBRIDGE, MD	FOUNDATION PLAN

P.O. box 310 midland, newark 14105
 800-724-0141 fax 716-735-3752 716-735-3732

PROJECT NO:
2031.03

PROCESSING NO: 50692
 DWG NO:
A-4



5-2-05